

Pick Up Sticks Chair



Simon James | 2014

Pick Up Sticks was born out of the desire to create a genuinely comfortable armchair where the upholstered component is produced separately, so the chair can be custom-made in the fabric of the buyer's choice, and delivered with a fast turnaround.

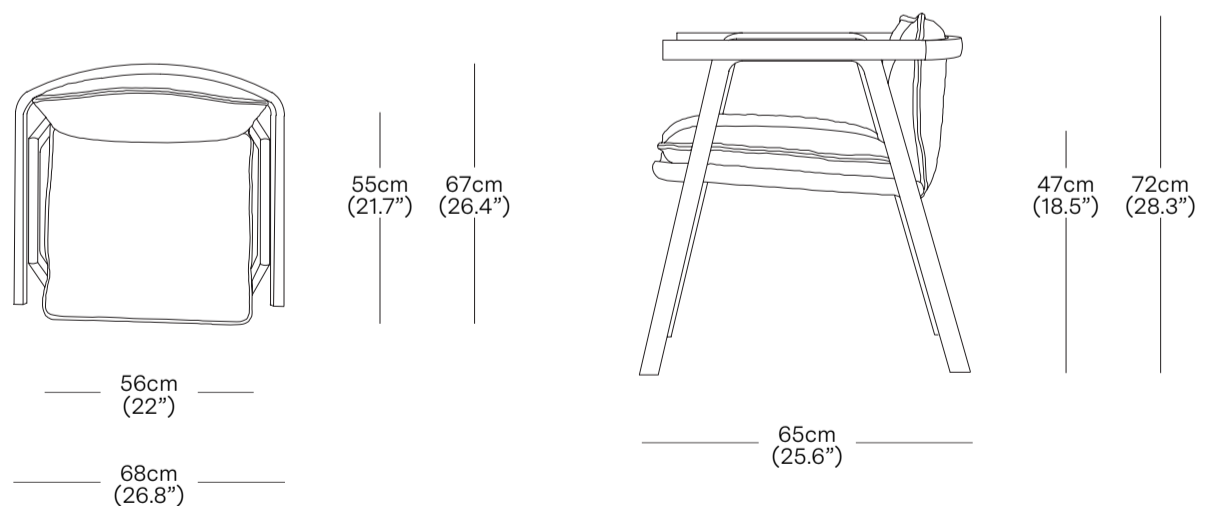
Ideal for residential or commercial use, Pick Up Sticks celebrates its solid oak frame, which is enhanced with refined profile details.

MATERIALS	Solid Oak Frame, Upholstered MDF and Foam
PRODUCT ENVIRONMENT	Indoor Use Only
CONTRACT USE	Yes
CERTIFICATION	CAL 117-2013, BS 5852 Crib 5, EN 1021-1 EN 1021-5, FSC Certified Wood
WARRANTY	3 years
COUNTRY OF ORIGIN	UK / USA / AUS / NZ

CODE	PRODUCT
PUS001B	Pick Up Sticks Chair - Black
PUS001N	Pick Up Sticks Chair - Natural
PUS001U	Pick Up Sticks Chair - Umber
CATEGORY	PRODUCT
1	Maharam Mode / Messenger / COM
2	Camira Synergy / Mainline Flax
3	Kvadrat Hallingdal 65 / Sorensen Envy
4	Sorensen Royal Nubuck

UPHOLSTERY USAGE
COM
1.5 m (1.6 yd)
COL
2.6 m ² (27.5 ft ²)
UPHOLSTERY DETAILS
Refer to upholstery fabric & leather document

FINISHES	PRODUCT WEIGHT
black natural umber	14.1 kg (26.2 lbs)



PACKAGED DIMENSIONS		
L x W x H	Cubage	Weight
Box 1		
73 x 76 x 76 cm	0.42 m ³	14.1 kg
28.7 x 29.9 x 29.9 in	14.9 ft ³	31.1 lbs
COMMODITY CODE	94016100	

* Components drawn in relative scale. Refer to CAD files for accurate drawings.