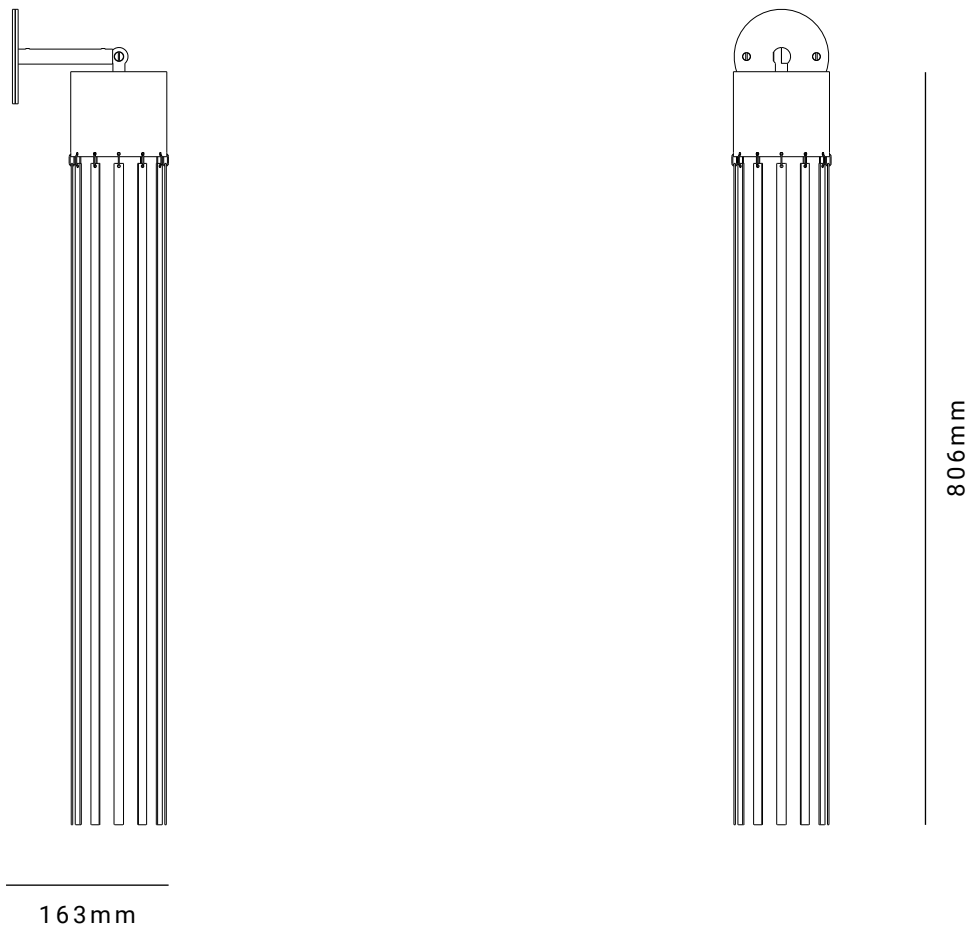


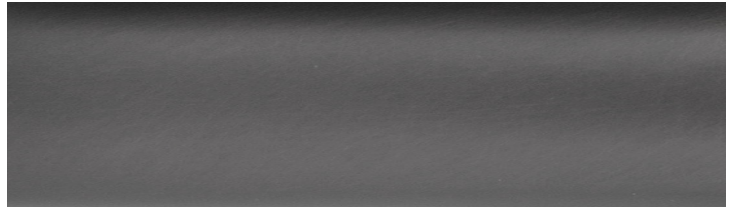


SOZOU



<b>Product</b>	Meguri wall
<b>Lamp type</b>	240V G9
<b>Supplied lamp</b>	3.5W 3000K dimmable LED x1
<b>Drop length</b>	815mm
<b>Weight</b>	3kg
<b>Wall mount</b>	Recessed
<b>Finishes</b>	Brass and plated finishes (Pictured in Dark Bronzed Brass).

**Brass finishes**



Dark Bronzed Brass



Bronzed Brass

**Plated finishes**

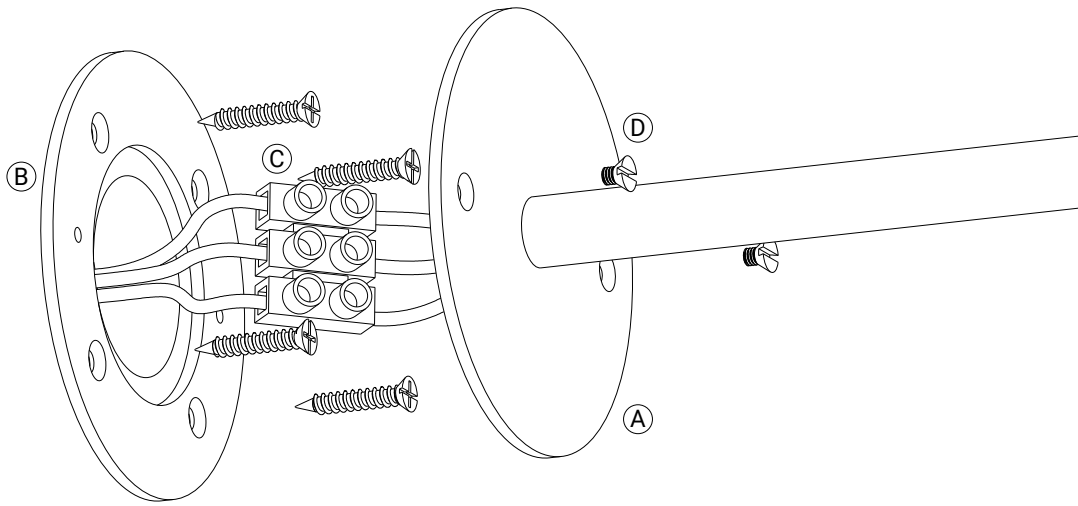


Chrome



Brushed Nickel

\*Each hand finished surfaces are unique and variations may occur.



### Installation 1 - Wall mount

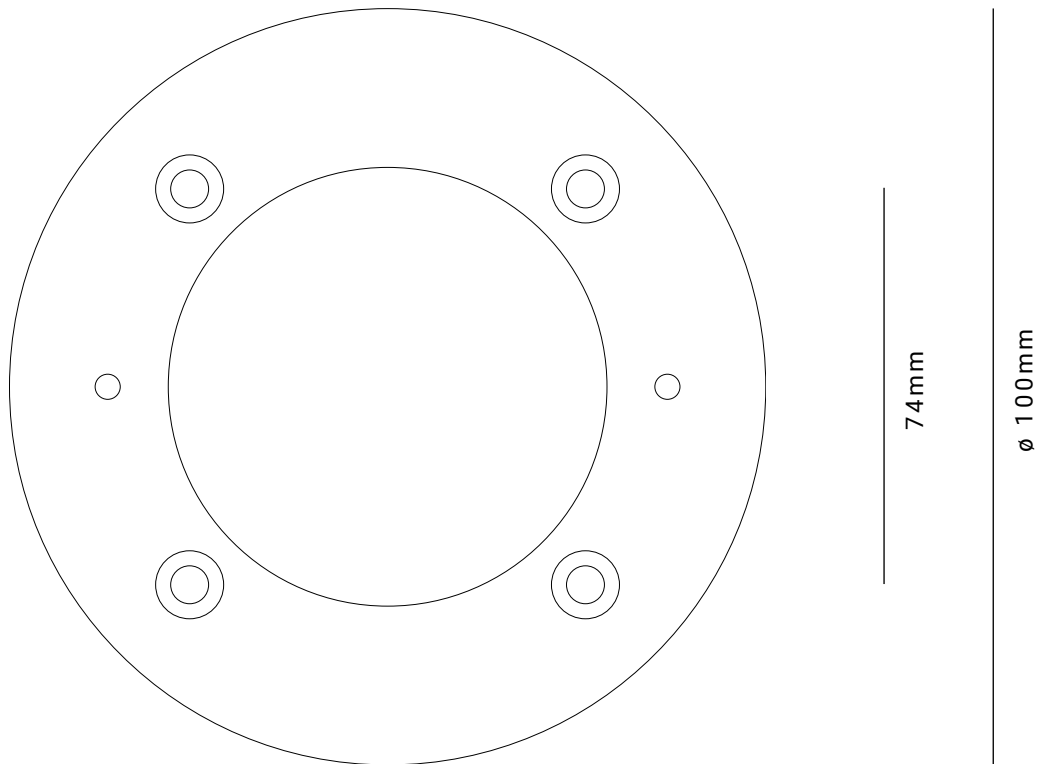
**\*Do not remove the cardboard tube until installed.**

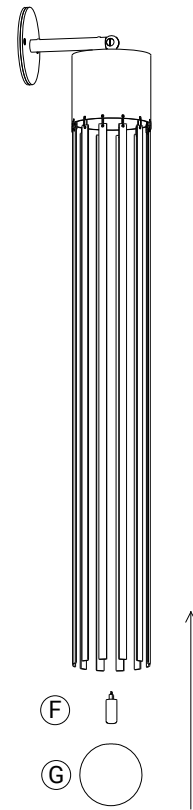
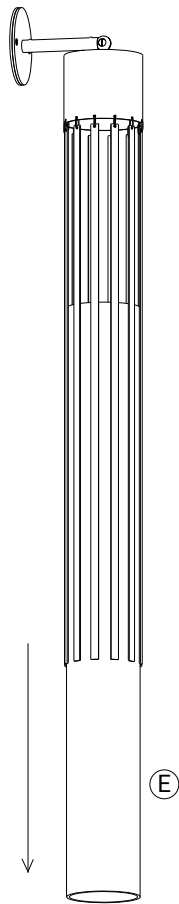
**\*Please wear supplied gloves all time of the installation.**

1. Make sure to turn off the main power before installation.
2. Drill  $\varnothing$  35 - 50mm hole to the wall to allow the terminal block (C) to fit through.
3. Attach the backing plate (B) to the wall by appropriate screws.
4. Connect live wires to the fitting (A) using the terminal block (C) supplied.
5. Place wiring into the wall.
6. Attach the fitting (A) to the backing plate (B) with the wall mount screws (D).

---

### Backing Plate (1:1)





---

### Installation 2 - Lamp

1. Remove the cardboard tube (E) from the fitting.
2. Insert the supplied bi-pin lamp (F) to the lampholders.
3. Screw in the opal glass bulbs (G) to the lampholders.
4. Make sure all the lamp shade cups and brass fringes are hanging straight.
5. Clean the fitting with soft cloth.
6. Turn on the main power.

**Caution: Installation must be performed by certified electrician.**